

Neo® Diverter Trim, Shower and Tub Package (Valve not included)

## MODELS:

- SLV-1450-ADA: Includes VS-3010 2.5 GPM (9.5 L/min) Flow Rate Hand Shower w/ 60 in. Hose
- SLV-1450-ADA-E175: Includes VS-3010-E175 1.75 GPM (6.6 L/min) Flow Rate Hand Shower w/ 60 in. Hose

## FEATURES:

- CPT-1401: Diverter Shower Valve Trim
- VS-3010 or VS-3010-E175: Hand Shower w/ 60 in. Hose
- VS-155: Supply Ell with Wall Flange
- VS-156: Pause/Trickle Adaptor
- SA-1002: Slide Bar
- S-1557: Tub Spout

## VALVE OPTIONS:

- CPV-PB-DV: Pressure Balance Diverter Valve Sweat & Thread Connections
- CPV-PB-DV-PXC: Pressure Balance Diverter Valve PEX F1807 Crimp Inlet Connections
- CPV-PB-DV-PXE: Pressure Balance Diverter Valve PEX F1960 Cold-Expansion Inlet Connections
- CPV-T2-DV: Thermostatic Diverter Valve Sweat & Thread Connections
- CPV-T2-DV-PXC: Thermostatic Diverter Valve PEX F1807 Crimp Inlet Connections
- CPV-T2-DV-PXE: Thermostatic Diverter Valve PEX F1960 Cold-Expansion Inlet Connections



## STOCK FINISHES:



PC BN

## STANDARDS:

- ASME A112.18.1/CSA B125.1 certified
- ADA compliant

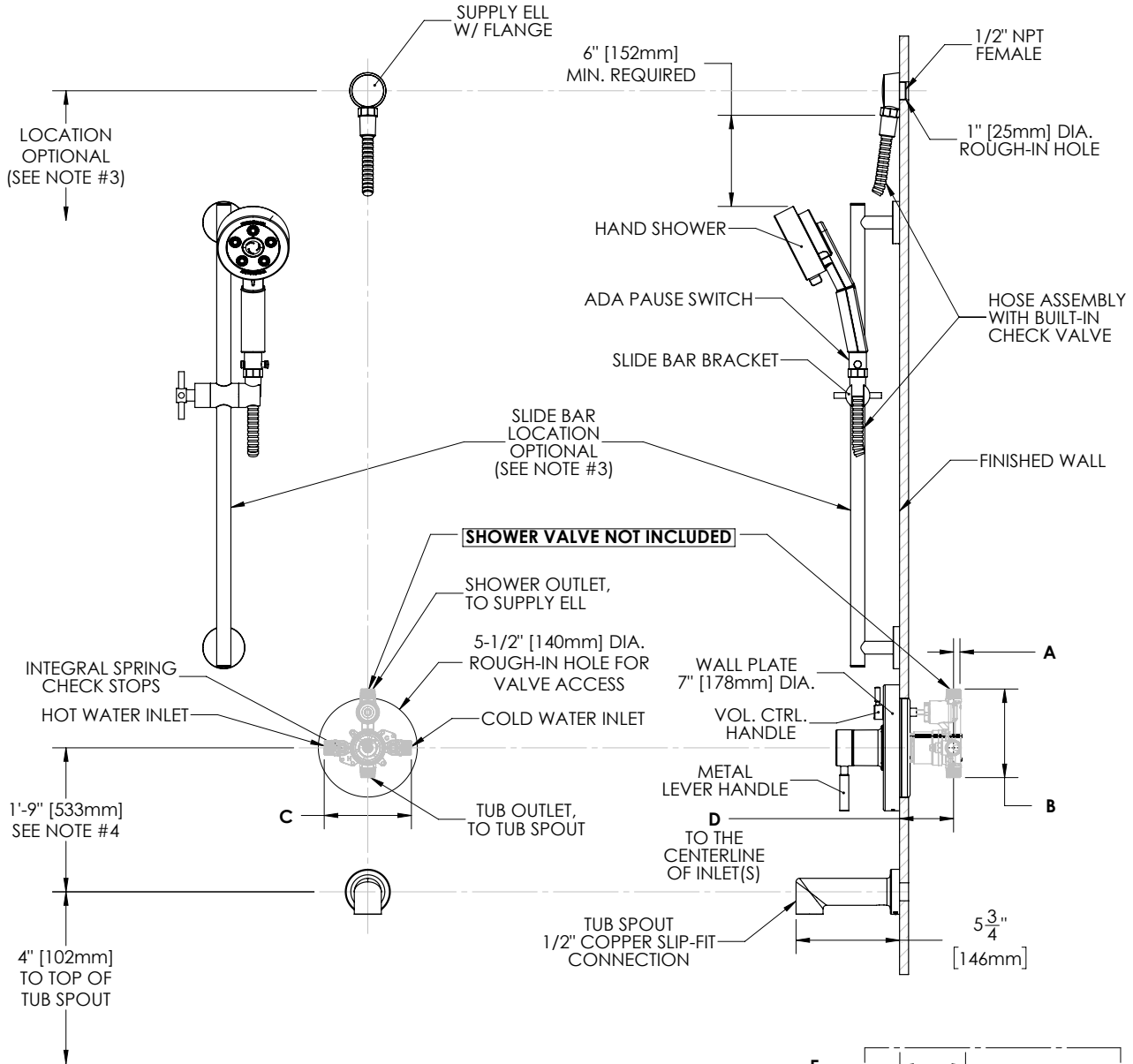
## WARRANTY:

Visit [www.speakman.com](http://www.speakman.com) for full product warranty information

- See [Speakman.com](http://Speakman.com) For Warranty Information

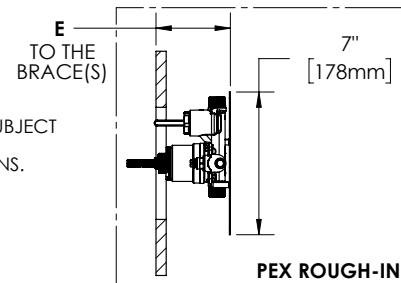
Information continues on next page

## Neo® Diverter Trim, Shower and Tub Package (Valve not included)



**NOTES:**

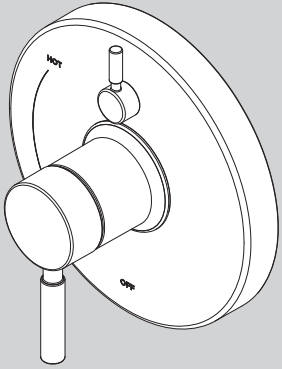
1. ALL DIMENSIONS ARE IN INCHES [MILLIMETERS] UNLESS OTHERWISE SPECIFIED AND ARE SUBJECT TO CHANGE WITHOUT NOTICE.
2. FOR ADA MOUNTING LOCATIONS CONSULT ADAAG, ANSI A 117.1, OR STATE REGULATIONS.



DIMENSION	CPV-PB-DV	CPV-T2	CPV-PB-DV-PXC	CPV-PB-DV-PXE	CPV-T2-PXC	CPV-T2-PXE
A	7/16" (11mm)	9/16" (14mm)	7/16" (11mm)	7/16" (11mm)	9/16" (14mm)	9/16" (14mm)
B	4-15/16" (125mm)	5-1/16" (128mm)	4-15/16" (125mm)	4-15/16" (125mm)	5-1/16" (128mm)	5-1/16" (128mm)
C	4-13/16" (123mm)	5-7/8" (150mm)	4-13/16" (123mm)	4-13/16" (123mm)	5-7/8" (150mm)	5-7/8" (150mm)
D	2-1/2" (63mm) MIN TO 3-1/2" (89mm) MAX					
E	3-1/8" (79mm) MIN TO 4-1/8" (105mm) MAX			3-3/16" (81mm) MIN TO 4-3/16" (106mm) MAX		

## INSTRUCTIONS FOR MODELS

CPT-1401



### NEED HELP?

For additional assistance or service please contact:

**SPEAKMAN®**

800-537-2107

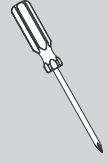
customerservice@speakman.com

www.speakman.com

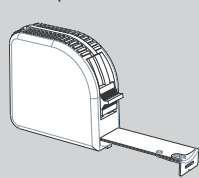
92-CPT-1401-01

## TOOLS AND SUPPLIES

Phillips  
Screwdriver



Measuring  
Tape



## IMPORTANT

- Do not over-tighten any connections or damage may occur.
- Be sure to read instructions thoroughly before beginning installation.
- Be sure to have properly adjusted the Temperature Limiting Stop (TLS) as per the Valve Installation Instructions before installing Valve Trim.

### SAFETY TIPS

Cover your drain to prevent loss of parts.

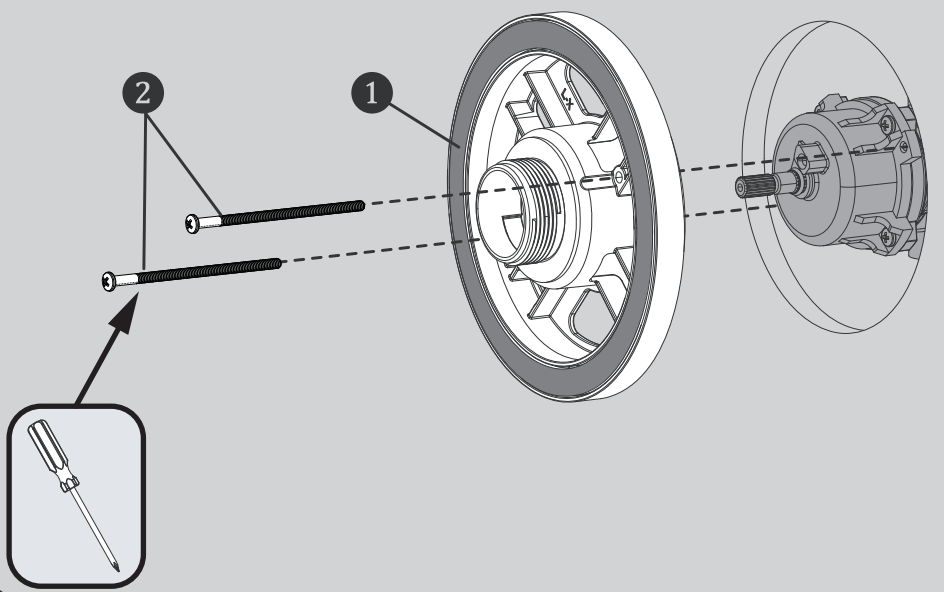
### MAINTENANCE

Your new Speakman Product is designed for years of trouble-free performance. Keep it looking new by cleaning it periodically with a soft cloth. The use of harsh chemicals and abrasives on any of the Speakman custom finish products may damage the finish and void the product warranty. Please be sure to only use approved cleaners. Please contact Speakman for any clarification of acceptable cleaners.

### WARRANTY

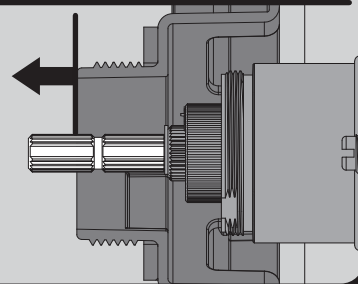
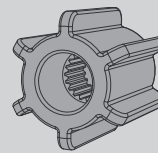
Warranty information can be found at:  
www.speakman.com

**1** Clean wall surface. Place Mounting Base (1) onto the valve, align mounting holes, and secure with supplied screws (2).

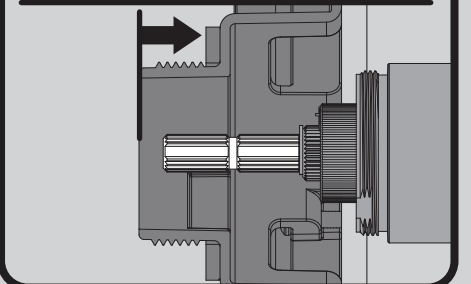
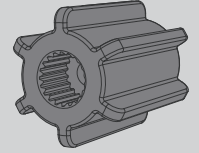


**2** Verify the position of the Spindle within the Mounting Plate, as shown below. If the end of the Spindle extends beyond the Mounting Plate, then use the Shallow Mount Adapter. If the end of the Spindle is flush to, or is within the Mounting Plate, then use the Deep Mount Adapter.

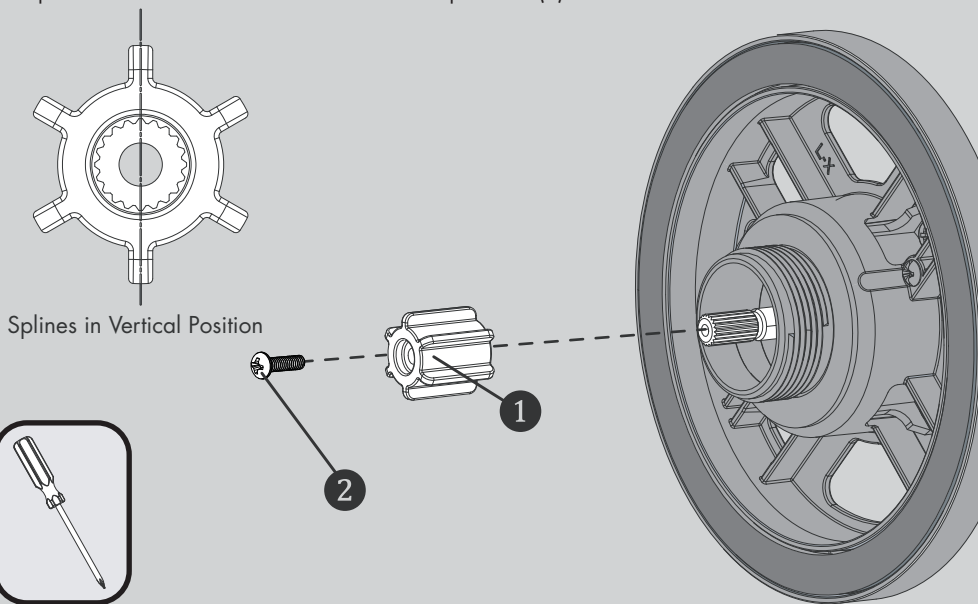
#### FOR SHALLOW MOUNT APPLICATION



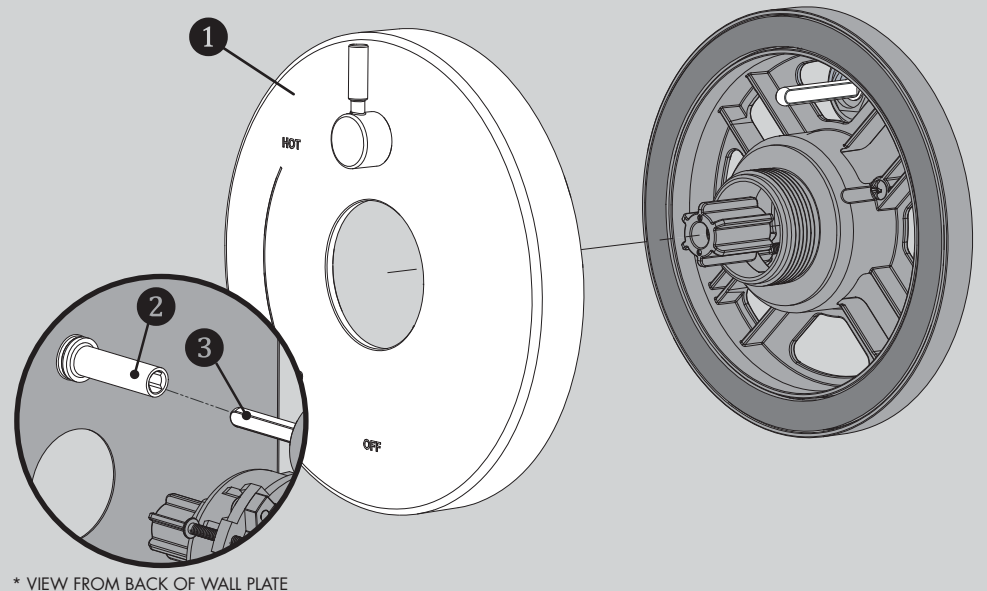
#### FOR DEEP MOUNT APPLICATION



**3** Confirm that Valve is in the "Off" position. Place appropriate Connector (1) on to the Spindle of the Valve, making sure to orient the Connector so that one set of Splines are in a perfectly vertical position. Secure Connector with 8-32 screw provided (2).

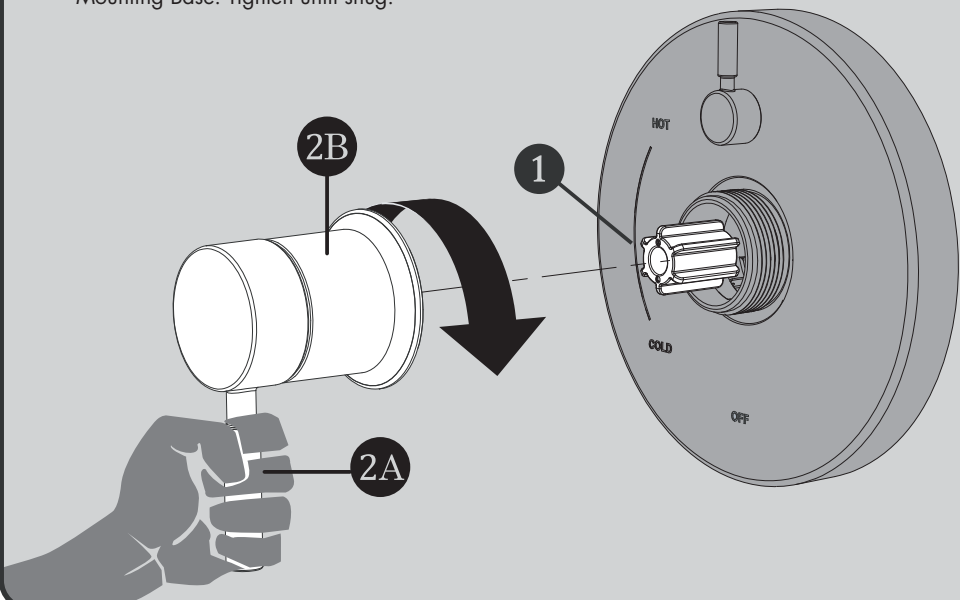


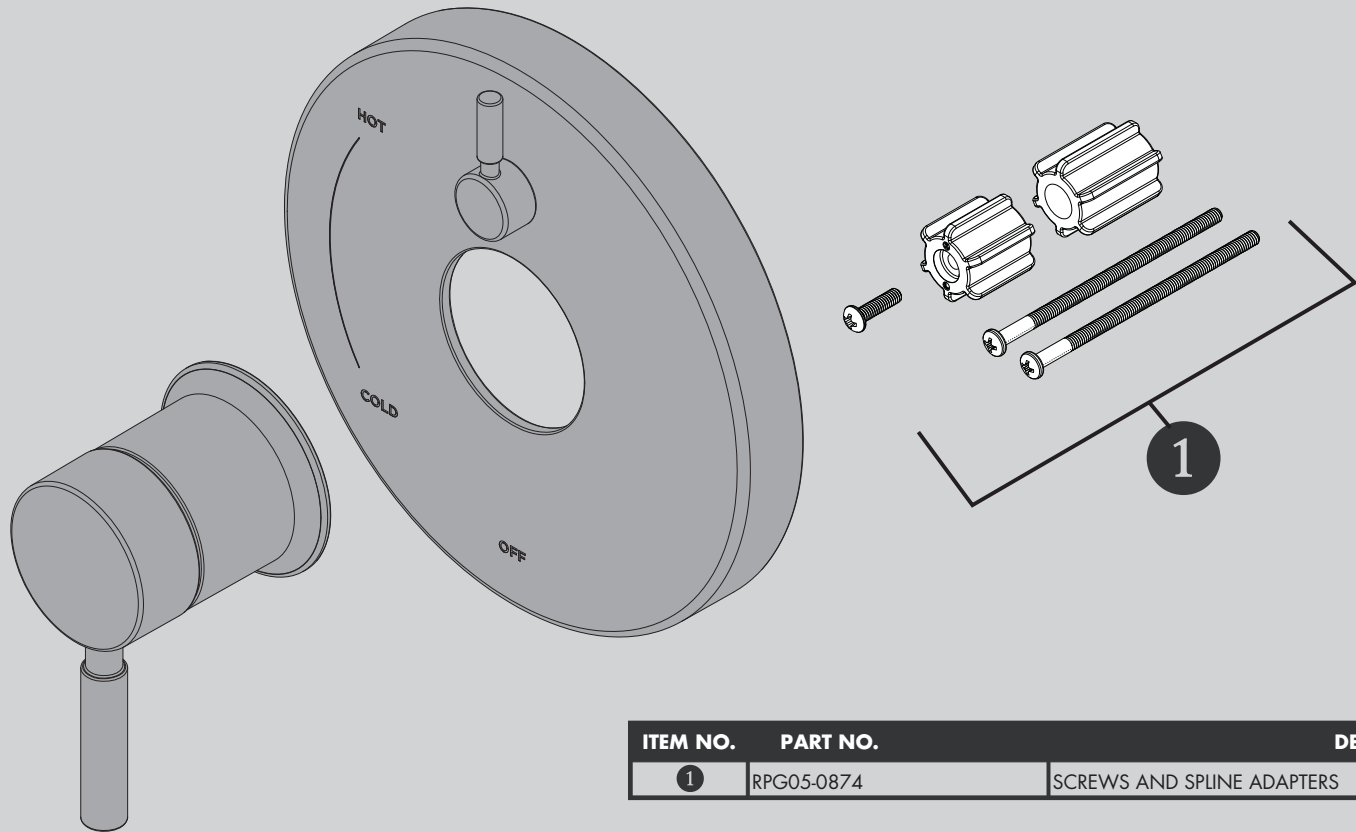
**4** Place Wall Plate (1) on Mounting Base. Take care to orient the Wall Plate as shown below. Verify the Diverter Valve Stem is in the OFF (vertical) position. Align the Diverter Drive Tube (2) on the Wall Plate to the Stem (3) of the Diverter Valve.



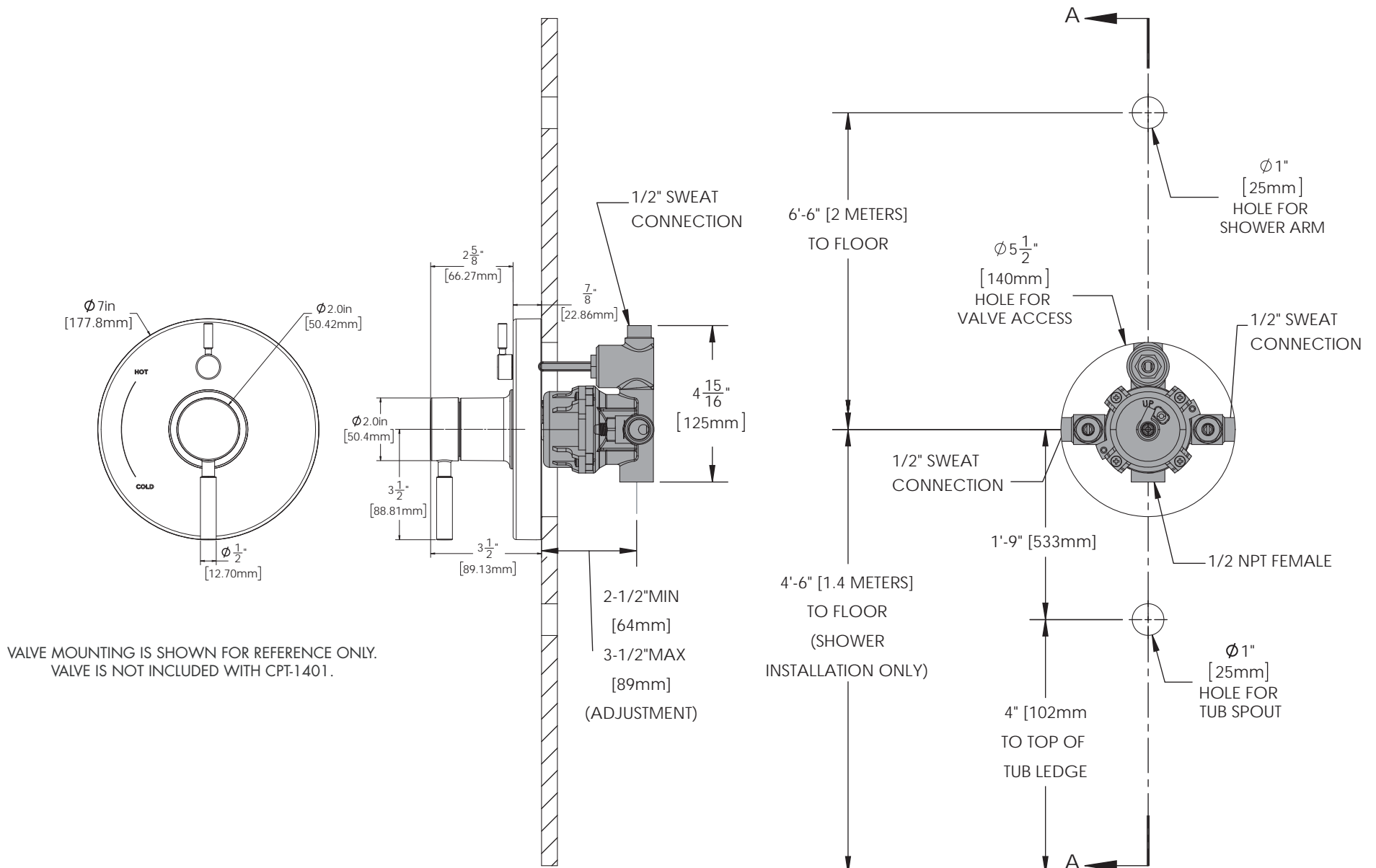
\* VIEW FROM BACK OF WALL PLATE

**5** Align Handle Assembly with Connector (1) and Escutcheon as shown below. Keep Handle (2A) in a stationary vertical position and place over Connector (1) and engage the Splines of the Connector with the Handle Assembly. Keep Handle in the vertical position as you thread Handle Hub (2B) on to Mounting Base. Tighten until snug.

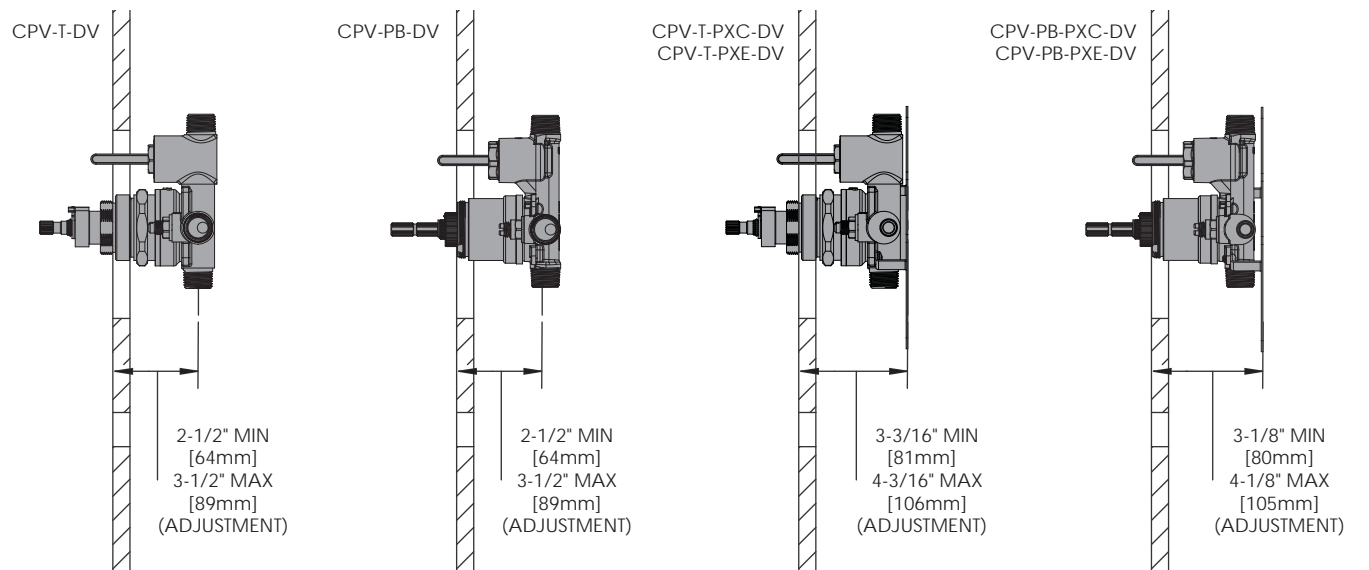




ITEM NO.	PART NO.	DESCRIPTION
1	RPG05-0874	SCREWS AND SPLINE ADAPTERS



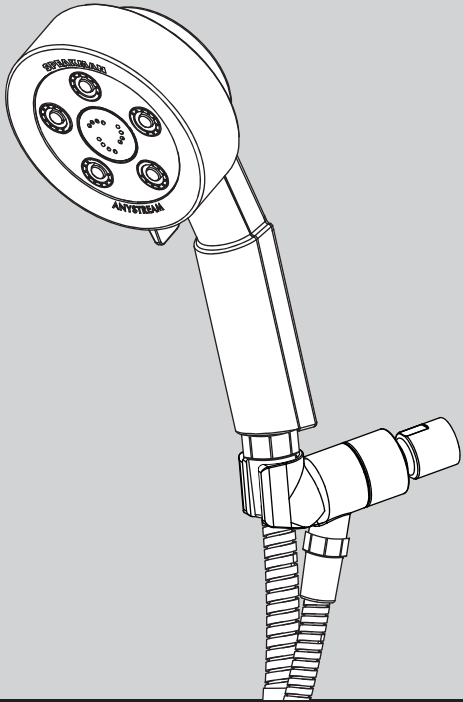
NOTE: TRIM FITS DIFFERENT VALVES. ROUGH-IN DIMENSIONS PROVIDED FOR REFERENCE ONLY.



DIMENSIONS SUBJECT TO CHANGE WITHOUT NOTICE.

## INSTRUCTIONS FOR MODELS


VS-3010  
VS-3010-E2  
VS-3010-E175



### NEED HELP?

For additional assistance or service please contact:

**SPEAKMAN**® Company  
400 Anchor Mill Road  
New Castle, DE 19720

 800-537-2107

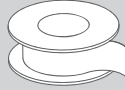
 customerservice@speakman.com

 www.speakman.com

92-VS-3010-02

## TOOLS AND SUPPLIES

Thread Seal  
Tape  
(included)



Adjustable  
Wrench



### IMPORTANT



Be sure to read instructions thoroughly before beginning installation. Do not overtighten any connections or damage may occur. This hand shower has an optimal operating range of 20-80 psi.

### SAFETY TIPS



Cover your drain to prevent loss of parts.

### MAINTENANCE



Periodic cleaning using a mild soap and warm water will help keep your Hand Shower's appearance in its original condition.

For best results, dry immediately with a soft, clean cloth. **DO NOT USE** harsh and/or abrasive cleaners.

On CHROME PLATED HAND SHOWERS, a two (2) part white vinegar, one (1) part water solution can be used to break down excessive mineral deposits on the sprays. Let the hand shower soak in the solution for about ½ hour then rinse thoroughly. Brush off any remaining mineral deposits if necessary.

**DO NOT USE** the vinegar/water treatment on any finish other than Chrome.

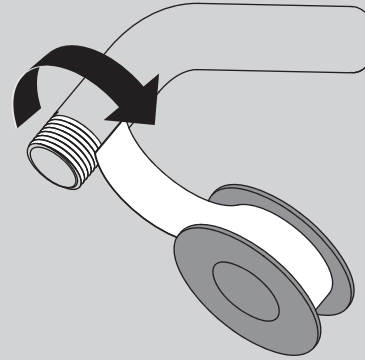
To reduce mineral build-up, turn the handle to FLOOD position to let the water drain out after every use.

### WARRANTY

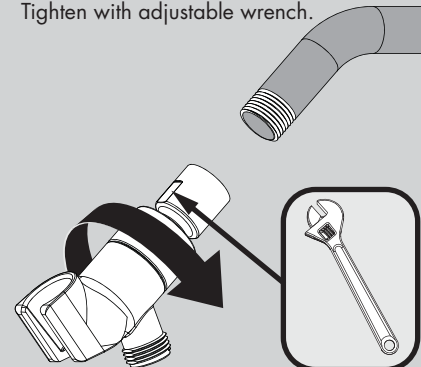


Additional warranty information can be found at:  
[www.speakman.com](http://www.speakman.com)

- 1** Apply Thread Seal Tape to the outlet side of shower arm in a clockwise direction.

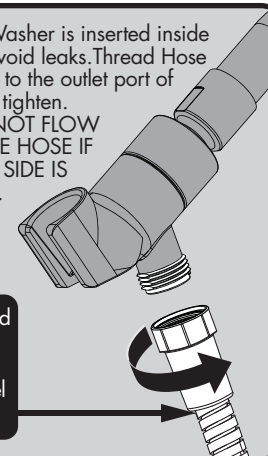


- 2** Thread Bracket onto shower arm by turning it in a clockwise direction. Tighten with adjustable wrench.

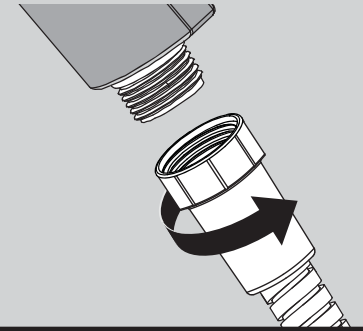


- 3** Ensure Hose Washer is inserted inside connector to avoid leaks. Thread Hose End with Label to the outlet port of Bracket. Hand tighten. **WATER WILL NOT FLOW THROUGH THE HOSE IF THE WRONG SIDE IS CONNECTED.**

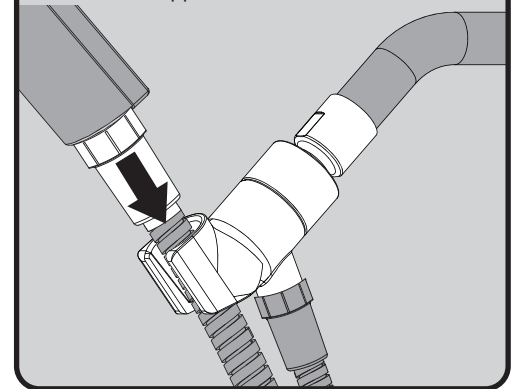
**NOTE:** Label around hose shows this end assembles to water supply. Remove label before installation.



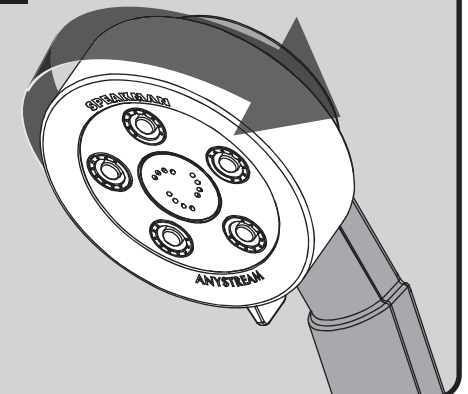
- 4** Ensure Hose Washer is inserted inside connector to avoid leaks. Thread remaining end of Hose to base of Hand Shower. Hand tighten.



- 5** Place Hand Shower into Bracket. Turn on water supplies and check for leaks.

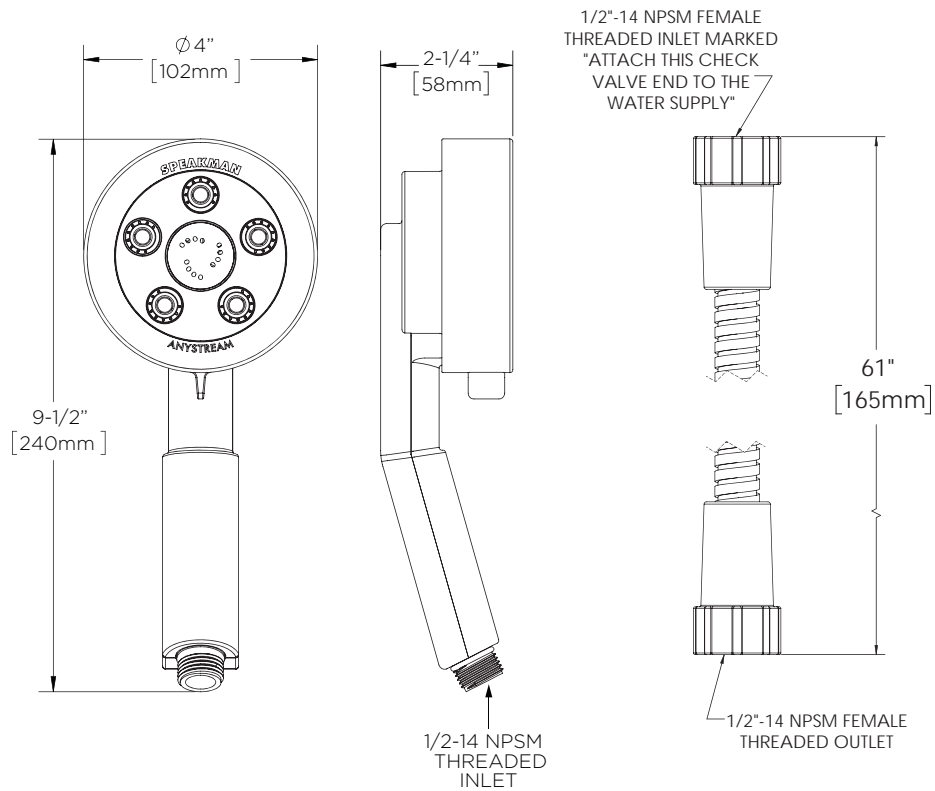


- 6** Rotate Spray Face to change Spray Settings.





## ROUGH IN DIMENSIONS

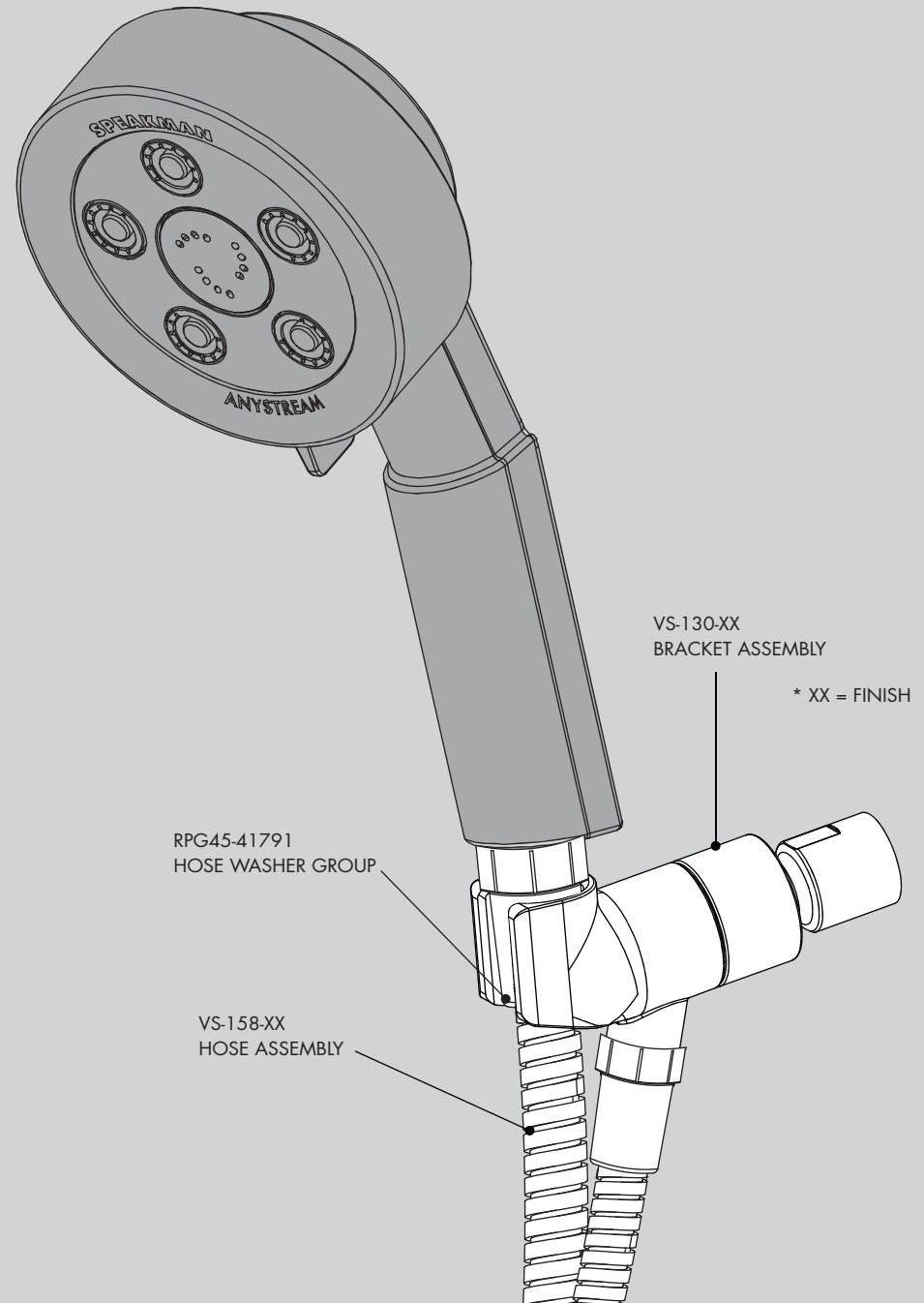


Model: VS-3010  
 Max. Flow Rate: 2.5 gpm (9.5L/min)  
 Min. Flow Rate: 2.0 gpm (7.6 L/min) @ 45psi  
 FOR USE WITH AUTOMATIC COMPENSATING VALVES RATED AT 7.6 L/MIN (2.0 GPM) OR LESS.

Model: VS-3010-E2  
 Max. Flow Rate: 2.0 gpm (7.6 L/min)  
 Min. Flow Rate: 1.5 gpm (5.7 L/min) @ 45psi  
 FOR USE WITH AUTOMATIC COMPENSATING VALVES RATED AT 6.6 L/MIN (1.75 GPM) OR LESS.

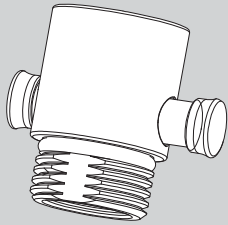
Model: VS-3010-E175  
 Max. Flow Rate: 1.75 gpm (6.6 L/min)  
 Min. Flow Rate: 1.3 gpm (4.9 L/min) @ 45psi  
 FOR USE WITH AUTOMATIC COMPENSATING VALVES RATED AT 5.7 L/MIN (1.5 GPM) OR LESS.

## REPAIR PARTS



## INSTRUCTIONS FOR MODELS


# VS-156



### NEED HELP?

For additional assistance or service please contact:

**SPEAKMAN**® Company  
400 Anchor Mill Road  
New Castle, DE 19720

 800-537-2107

 customerservice@speakman.com

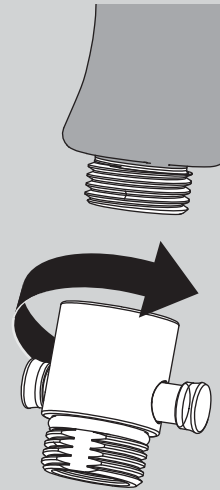
 www.speakman.com

92-VS-156-02

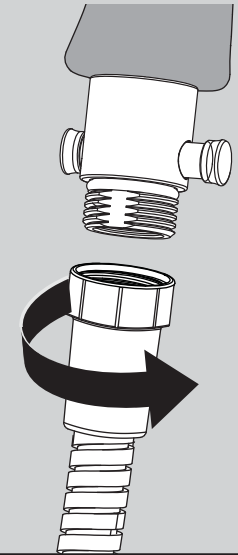
- 1** Turn off water supply. Remove hose from existing Hand Held Shower Head.



- 2** Insert proper washer to ensure no leaking occurs from Volume Control to Hand Held Shower connections (multiple washers are included for various types of installations). Screw on Volume Control to Hand Held Shower and hand tighten.



- 3** Thread hose onto inlet port of Volume Control and hand tighten. Turn on water supply and check for leaks. If leaks are present, disassemble all connections and apply Telon Tape. Re-assemble.



### IMPORTANT

- Do not over-tighten any connections or damage may occur.
- Be sure to read instructions thoroughly before beginning installation.

### MAINTENANCE

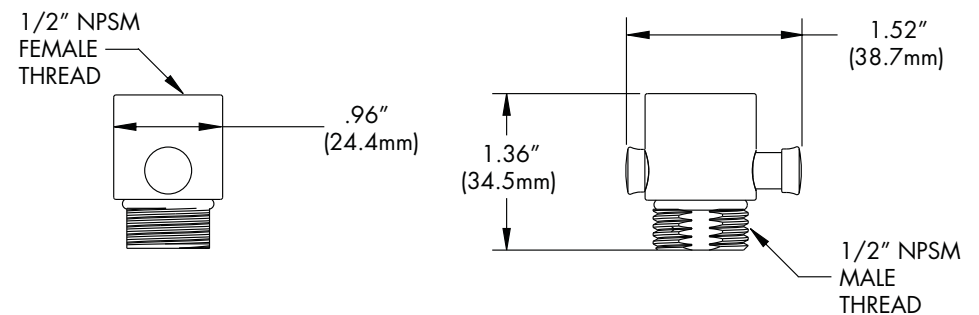
Your new Speakman Product is designed for years of trouble-free performance. Keep it looking new by cleaning it periodically with a soft cloth. The use of harsh chemicals and abrasives on any of the Speakman custom finish products may damage the finish and void the product warranty. Please be sure to only use approved cleaners. Please contact Speakman for any clarification of acceptable cleaners.

### WARRANTY

Additional warranty information can be found at: [www.speakman.com](http://www.speakman.com)

### VS-156 ROUGH-IN DIAGRAM

### SPEAKMAN®



DIMENSIONS SUBJECT TO CHANGE WITHOUT NOTICE.

### TOOLS AND SUPPLIES

Thread Seal Tape

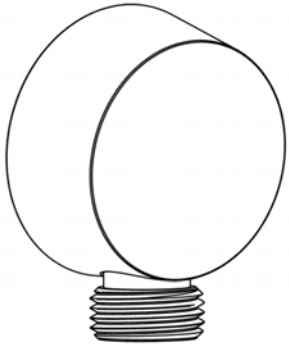


### SAFETY TIPS

Cover your drain to prevent loss of parts.

## Instructions for Models:

VS-155



### Need Help?

For additional assistance or service call:

**SPEAKMAN** Company  
400 Anchor Mill Road  
New Castle, DE 19720

PHONE: 800-537-2107  
EMAIL: customerservice@speakman.com  
WEB: www.speakman.com

92-VS-155-R1

## What You Need To Know:

### Tools:

Required:

\*Teflon Tape



### Important Notes:

Be sure to read instructions thoroughly before beginning installation. Do not overtighten any connections or damage may occur.

### Safety Tips:

Cover your drain to prevent loss of parts.

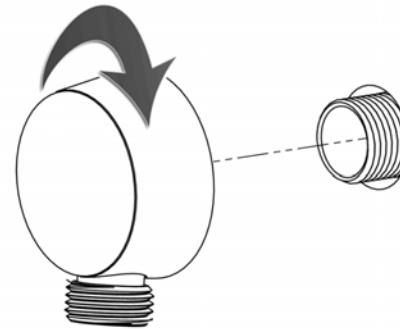
### Maintenance:

Your new Supply Ell is designed for years of trouble-free performance. Keep it looking new by cleaning it periodically with a soft cloth. Avoid abrasive cleaners, steel wool, and harsh chemicals as these will dull the finish and void your warranty.

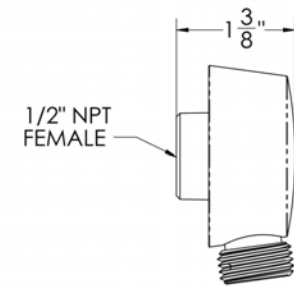
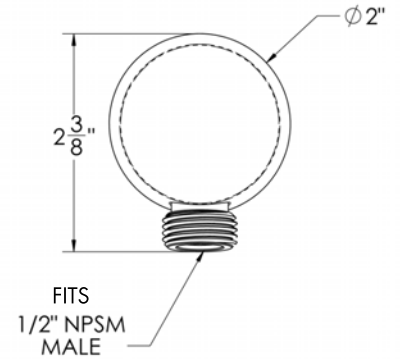
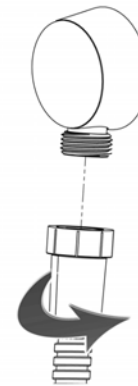
① Apply Teflon Tape to 1/2" Outlet Pipe.



② Screw Supply Ell on to 1/2" Pipe. Make sure to firmly tighten.



③ Connect accessories to Supply Ell and firmly hand tighten. Turn on water supply and check for leaks.



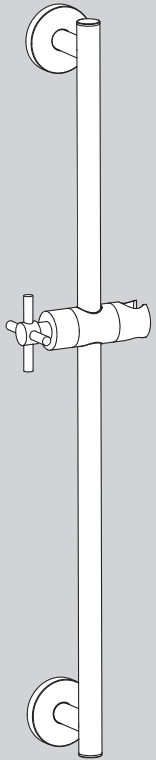
### Specifications:

Supply Inlet: 1/2" NPT FEMALE  
Outlet: FITS 1/2" NPSM MALE



## INSTRUCTIONS FOR MODELS

SA-1002



### NEED HELP?

For additional assistance or service please contact:

**SPEAKMAN**® Company  
400 Anchor Mill Road  
New Castle, DE 19720

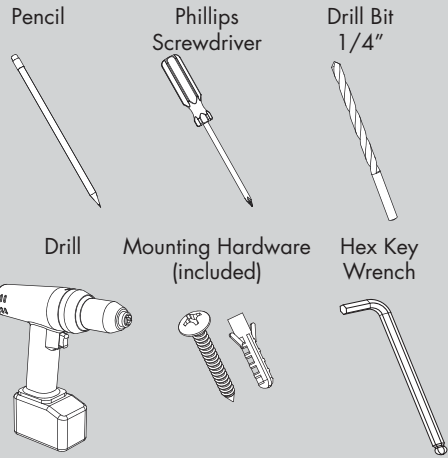
800-537-2107

customerservice@speakman.com

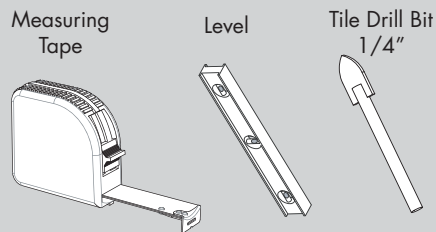
www.speakman.com

92-SA-1002-02

## TOOLS AND SUPPLIES



### HELPFUL TOOLS & SUPPLIES:



## IMPORTANT

- Do not over-tighten any connections or damage may occur.
- Be sure to read instructions thoroughly before beginning installation.
- This item is NOT designed for use as a grab bar. Do not mount in locations where product is likely to be used as a grab bar.

### SAFETY TIPS

- Cover your drain to prevent loss of parts. Be sure to follow all tool manufacturers safety guidelines.
- Use caution when drilling into walls to avoid electrical and plumbing lines hidden within the wall.

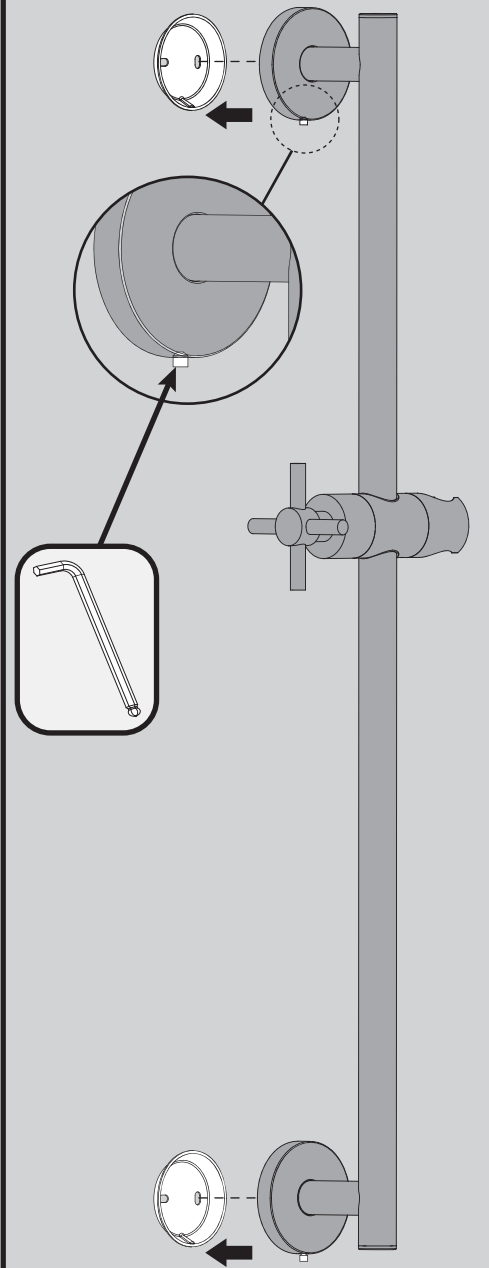
### MAINTENANCE

Your new Speakman Product is designed for years of trouble-free performance. Keep it looking new by cleaning it periodically with a soft cloth. The use of harsh chemicals and abrasives on any of the Speakman custom finish products may damage the finish and void the product warranty. Please be sure to only use approved cleaners. Please contact Speakman for any clarification of acceptable cleaners.

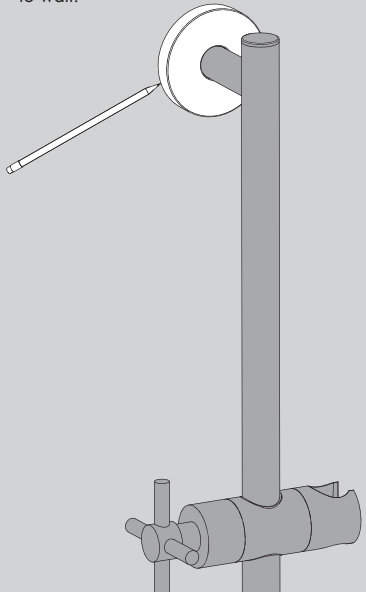
### WARRANTY

Additional warranty information can be found at:  
www.speakman.com

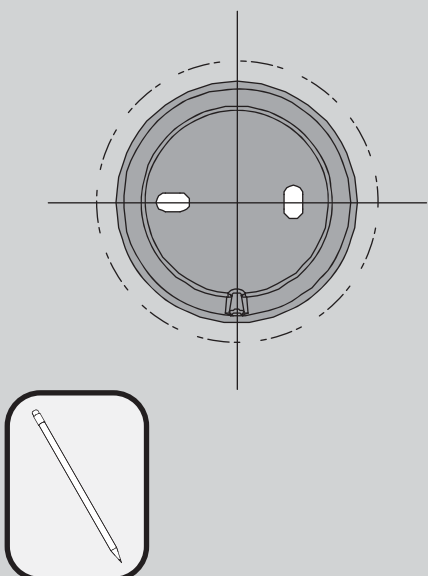
**1** Loosen Set Screws with supplied Allen Wrench, and remove Mounting Brackets from both ends of Slide Bar assembly.



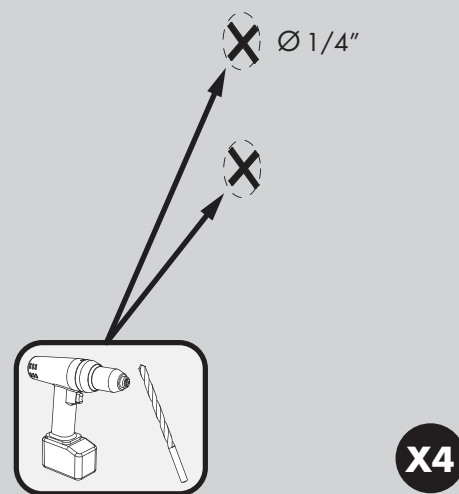
**2** Place Slide Bar Assembly on to wall in the desired mounting position. Take care that the Slide Bar is oriented in a vertical position. Using a pencil, lightly trace outline of end brackets on to wall.



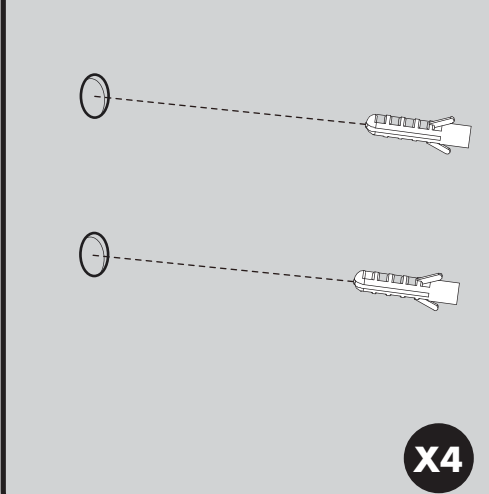
**3** Center Mounting Bracket within traced outline. Mark the 2 locations with a pencil.



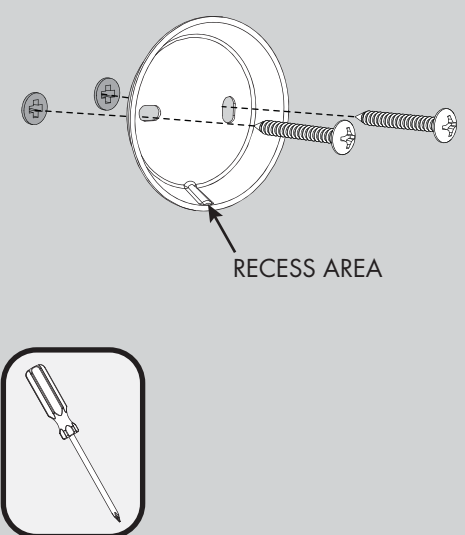
**4** Drill 1/4" hole in marked locations. If drilling into tile, be sure to use a drill bit designated for tile. If mounting directly into stud or wood wall, secure lower end bracket to wall with mounting screws without drilling holes.



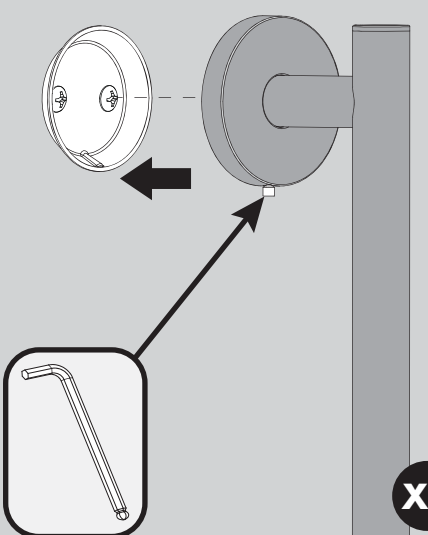
**5** Push the Plastic Anchors (x4) into the drilled holes. Ensure the plastic anchors are flush with the wall. (Note: Plastic Anchors provided may not be suitable for all types of wall construction, seek professional help if in doubt).



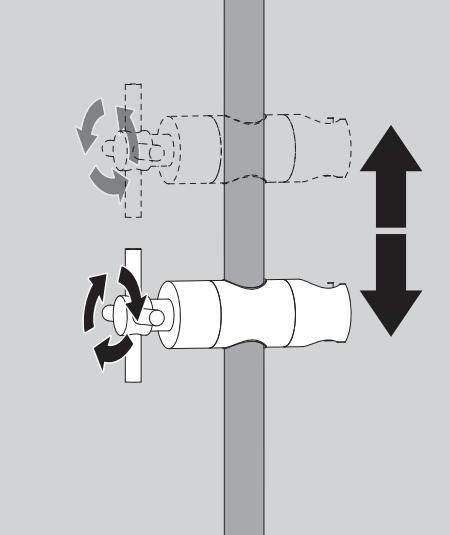
**6** Secure Mounting Plate with the Mounting Screws provided. Ensure Recess Area of Mounting Plate is aligned vertically as shown below.



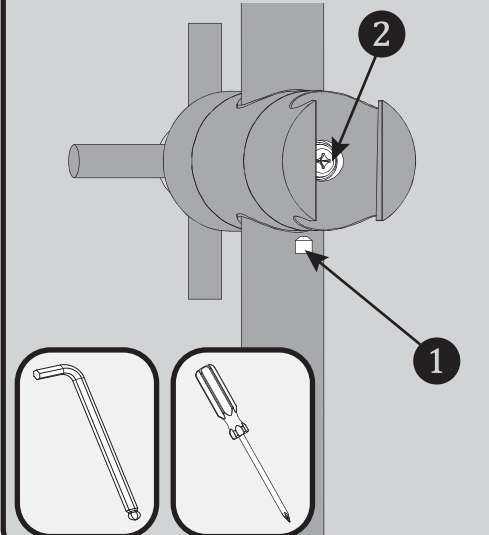
**7** Install Slide Bar assembly over Mounting Brackets, and secure with Set Screws using supplied Allen Wrench.



**8** Orient the Hand Held Shower Bracket to your desired position. Adjustments are made by rotating the Cross Handle counter-clockwise to release the position, and clockwise to lock into the desired position.

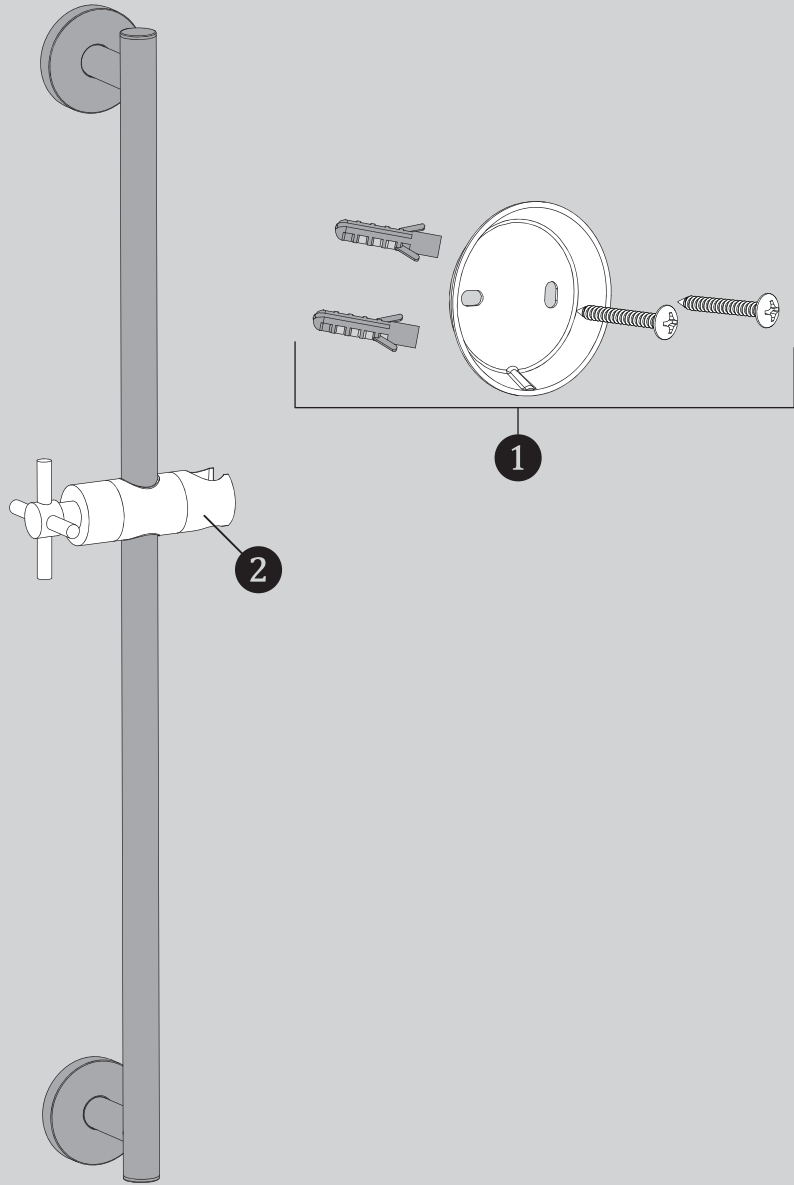


**9** Note: If the Hand Shower Holder no longer holds position, Loosen the Set Screw (1) from underneath the Bracket using the supplied Allen Key. Tighten the Screw (2) in the Shower Holder using a Phillips Head Screwdriver. Then, re-tighten the Set Screw (1) from below.



SA-1002 REPAIR PARTS

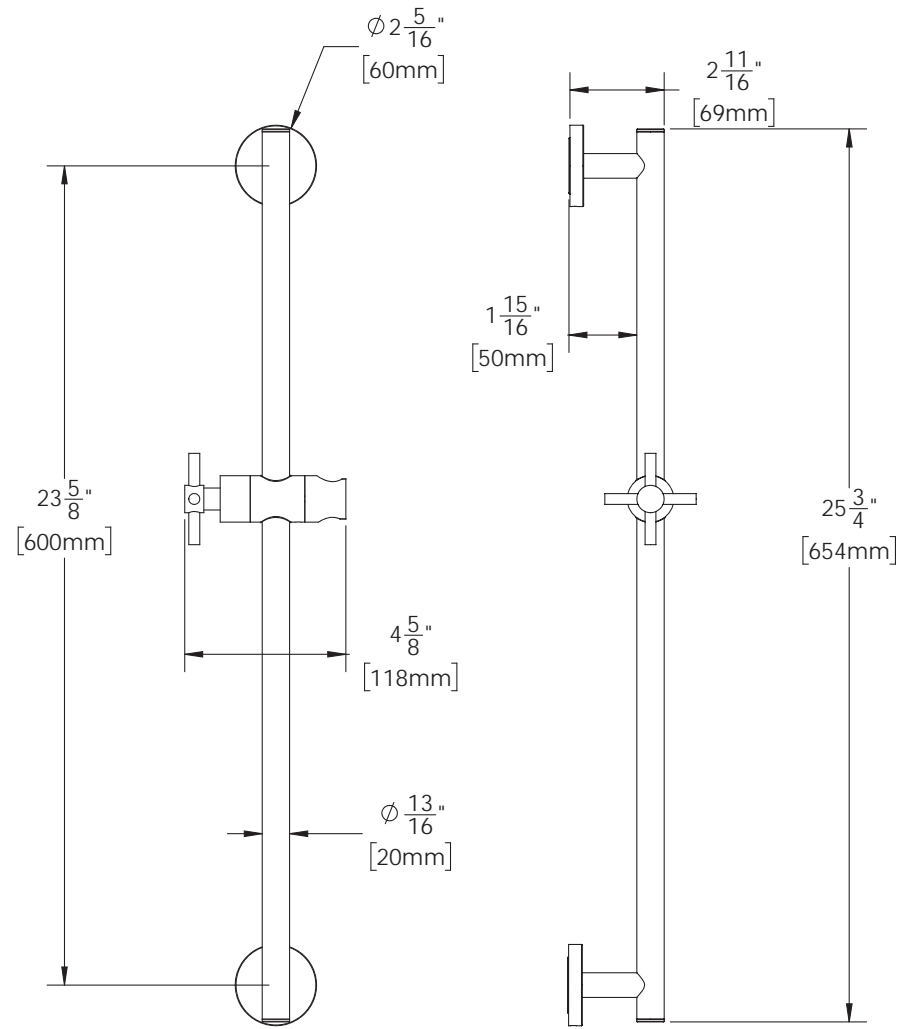
SPEAKMAN®



ITEM NO.	PART NO.	DESCRIPTION
1	RPG05-0886	MOUNTING HARDWARE
2	RPG56-0037-XX (XX=FINISH)	HAND SHOWER HOLDER

SA-1002 ROUGH-IN DIAGRAM

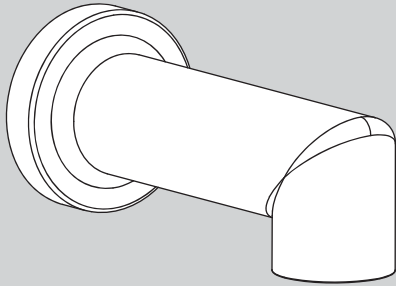
SPEAKMAN®



DIMENSIONS SUBJECT TO CHANGE WITHOUT NOTICE.

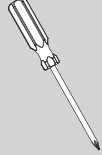
## INSTRUCTIONS FOR MODELS

# S-1557



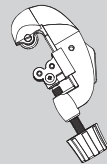
## TOOLS AND SUPPLIES

Phillips  
Screwdriver

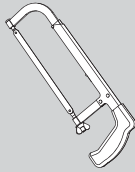


### HELPFUL TOOLS & SUPPLIES:

Tubing  
Cutter



Hacksaw



Safety  
Glasses



## IMPORTANT



- Do not over-tighten any connections or damage may occur.
- Be sure to read instructions thoroughly before beginning installation.

## SAFETY TIPS



Cover your drain to prevent loss of parts. Be sure to wear eye protection while cutting pipe.

## MAINTENANCE



Your new Speakman product is designed for years of trouble-free performance. Keep it looking new by cleaning it periodically with a soft cloth. Avoid abrasive cleaners, steel wool, and harsh chemicals as these will dull the finish and void your warranty.

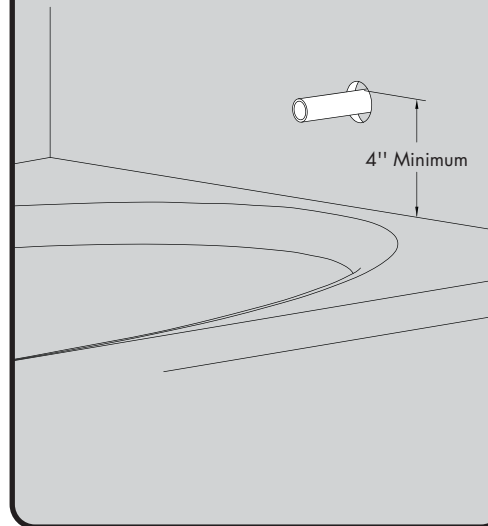
## WARRANTY



Additional warranty information can be found at: [www.speakman.com](http://www.speakman.com)

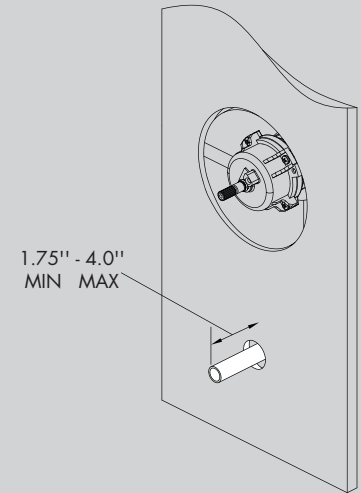
### 1

The minimum distance between the center of the tub spout and the rim of the tub should be no less than 4".



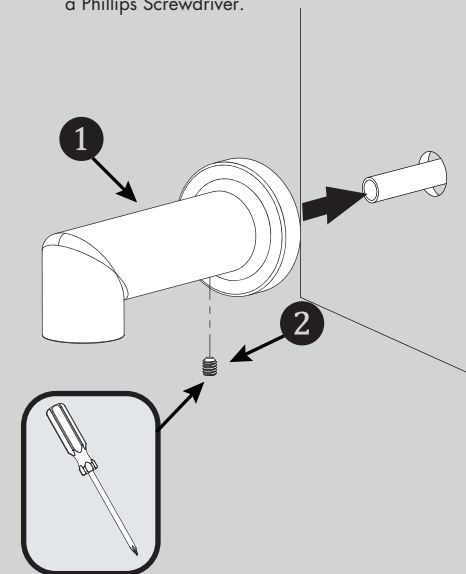
### 2

The stub out for the 1/2" pipe should extend a minimum of 1.75" from the wall, but not to exceed 4" from wall. Remove all burrs and sharp edges from the stub out 1/2" pipe.

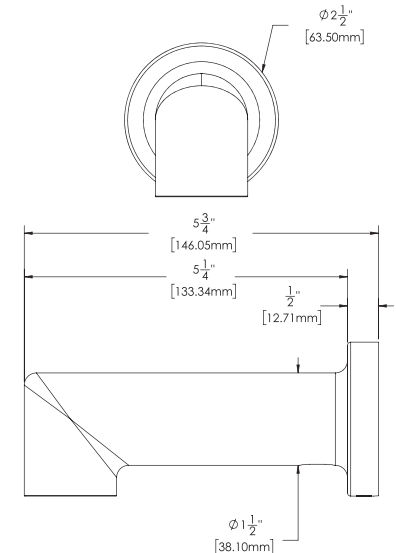


### 3

Slide Spout (1) over exposed stub out pipe until flush to wall. Center the Spout (1) on the wall and tighten Set Screw (2) from underneath with a Phillips Screwdriver.



## ROUGH-IN DIAGRAM



DIMENSIONS SUBJECT TO CHANGE WITHOUT NOTICE.

## NEED HELP?

For additional assistance or service please contact:

**SPEAKMAN**® Company  
400 Anchor Mill Road  
New Castle, DE 19720

800-537-2107

customerservice@speakman.com

www.speakman.com

92-S-1557-03